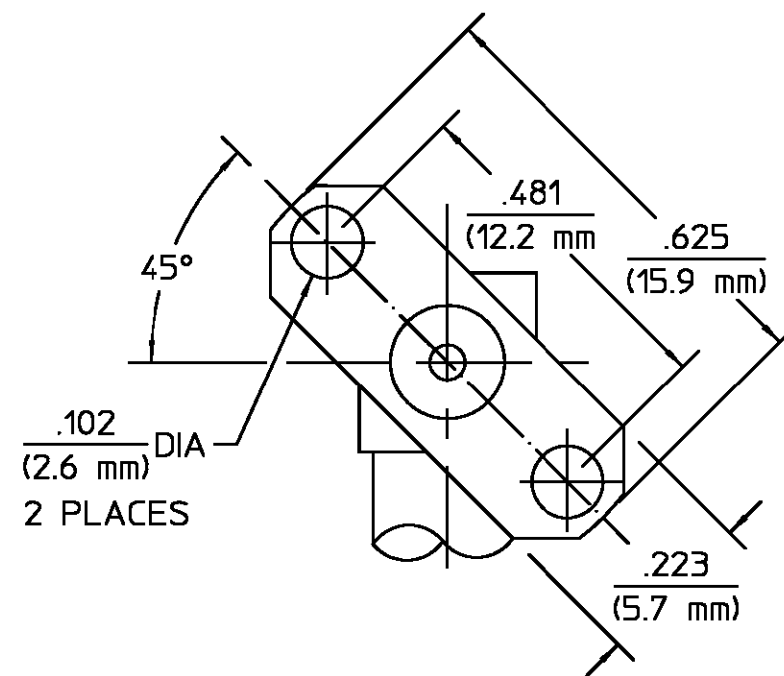


REVISIONS			
REV	DESCRIPTION	DATE	APPROVED
010	RELEASED	4/27/92	<i>RAC</i>



ELECTRICAL	MECHANICAL	ENVIRONMENTAL
Nominal Impedance (Ohms) <u>50</u>	Interface Dimensions MIL-STD-348A, Fig. 310.2	Temperature Rating <u>-65°C To +125°C</u>
Frequency Range (GHz) DC to <u>18.0</u>	Recommended Mating	Vibration MIL-STD-202, Method 204 Condition D
Volt Rating (VRMS MAX) @ Sea Level <u>335</u>	Torque <u>N/A</u>	Shock MIL-STD-202, Method 213, Condition I
VSWR <u>1.07 ±.015f(GHz)</u>	Mating Characteristics:	Thermal Shock MIL-STD-202, Method 107, Condition I, Except High Temp +115°C
Insertion Loss (dB MAX) <u>.08 √f GHz</u>	Insertion (MAX Lbs) <u>3.0</u>	Moisture Resistance MIL-STD-202, Method 106
RF Leakage (dB MIN) <u>-[90-f(GHz)]</u>	Withdrawal (MIN Oz) <u>1.0</u>	Corrosion - MIL-STD-202, Method 101, Condition B, 5% salt spray
Corona, 70,000 Ft (VRMS MIN) <u>250</u>	Force to Engage and Disengage (In-Lbs MAX) <u>2.0</u>	
Dielectric Withstanding Voltage (VRMS MIN) @ Sea Level <u>1,000</u>	Center Contact Captivation	
Contact Resistance (Milliohms MAX)	Axial (Lbs) <u>6.0</u>	
Center Contact <u>3.0</u>	Radial (In-Oz) <u>4.0</u>	
Outer Contact <u>2.0</u>	Cable Retention	
Cable to Housing <u>N/A</u>	Axial Force (Lbs) <u>N/A</u>	
RF High Potential @ Sea Level (VRMS MIN @ 5 MHz) <u>670</u>	Torque (In-Oz) <u>N/A</u>	
I.R.(Megohms MIN) <u>5,000</u>	Weight (Grams) <u>TBD</u>	

COMPONENT	MATERIAL	FINISH
HOUSING CAP	STAINLESS STEEL PER ASTM-A484 AND ASTM-A582, TYPE 303	GOLD PLATE PER MIL-G-45204 OVER NICKEL PLATE PER QQ-N-290
DIELECTRIC	TFE FLUOROCARBON PER ASTM-D-1457	N/A
CENTER CONTACT CONTACT EXT.	BERYLLIUM COPPER PER ASTM B 196, ALLOY C17300, CONDITION H	GOLD PLATE PER MIL-G-45204 OVER COPPER PLATE PER MIL-C-14550

UNLESS OTHERWISE SPECIFIED DIMENSIONS ARE IN INCHES TOLERANCE ON	DRAWN BY <i>BB</i> DATE <u>4/20/92</u>	AMP Incorporated 140 Fourth Avenue Waltham, MA 02451-7599
	CHECKED BY <i>MC</i> DATE <u>4-23-92</u>	
FRAC. DEC. ANGLES ± 1/64 ±.005 ± °	APPD BY <i>RAC</i> DATE <u>4/27/92</u>	AMP TITLE OSM 2 HOLE FLANGE MOUNT RIGHT ANGLE JACK RECEPTACLE STRAIGHT TERMINAL SIZE B CODE IDENT NO. 26805 2054-1251-00 REV 010 SCALE 4 : 1 SHEET 1 OF 1
These drawings and specifications are the property of Omni Spectra Incorporated and shall not be reproduced or copied or used in whole or in part as the basis for the manufacture or sale of item(s) without written permission.	USE ASS'Y PROCEDURE NO. AP. <u>N/A</u>	